

▼ SFP421SJ and SFP404SJ (Gauges and retract valves not shown)



Multiple Outlets with Equal Flow for Lifting and Lowering



Typical Split-Flow Pump Applications

For lifting and lowering applications on multiple points, Split-Flow Pumps are a far better alternative than using independently operated pumps. Where synchronization of maximum 4% is acceptable, Split-Flow Pumps are a safe and economical solution.

The SFP-Series pumps feature both single and synchronized multiple outlet control either through joystick or pendant operation.

Application examples:

- Bridge deck lifting for bearing maintenance
- Stage lifting in construction and shipbuilding
- Skidding to move structures and buildings
- Levelling of constructions like wind turbines

- 2, 4, 6 or 8 split-flow outlets
- Individual or simultaneous operation of valves, with advance/hold/retract function
- Joystick (manual) controlled or pendant (solenoid) controlled valves
- Flow per outlet ranging from 20 to 305 in³/min at 10,000 psi
- For double- and single-acting cylinders
- Adjustable pressure relief valve per circuit
- Reservoir: 5, 10 or 40 gallons
- All models include pressure gauges



Remote Control Pendant

Split-Flow Pumps with solenoid valves include a remote pendant with selector switches for each individual outlet, allowing single or multiple cylinder operation.



Hoses and Couplers

Enerpac offers a complete line of high-quality hydraulic hoses. To ensure the integrity of your system, specify only genuine Enerpac System Components.

Page: 132

▼ Step-by-step stage lifting an old windmill using double-acting RR-506 cylinders powered by a Split-Flow Pump.



10,000 psi, Split-Flow Pumps

SFP Series

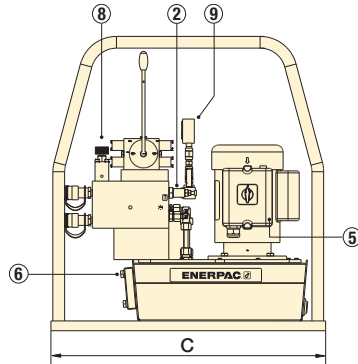
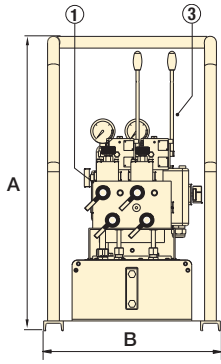


Reservoir Capacity:
5, 10 or 40 gallons

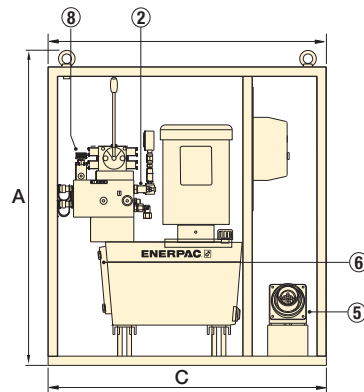
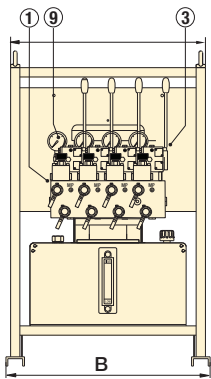
Split Flow Outlets:
2, 4, 6 or 8 outlets

Flow at Rated Pressure:
20 - 305 in³/min

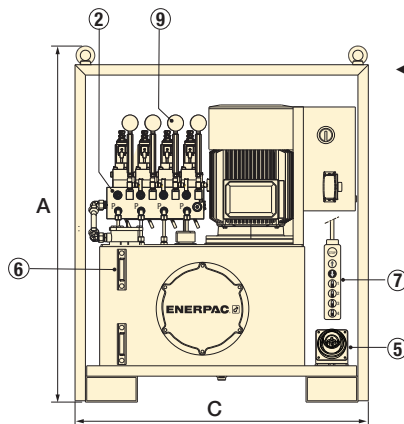
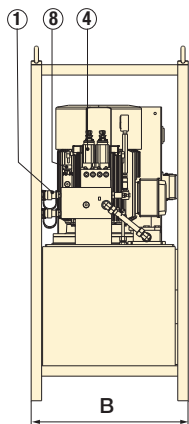
Maximum Operating Pressure:
10,000 psi



◀ SFP-Series with 5-gallon reservoir (shown with two split-flow outlets)



◀ SFP-Series with 10 gallon reservoir (shown with 4 split-flow outlets)



◀ SFP-Series with 40-gallon reservoir (shown with 4 split-flow outlets)

- ① Manifold with split-flow outlets and CR-400 couplers
- ② Adjustable pressure relief valve per circuit
- ③ Manual 4/3 control valves with joysticks
- ④ Solenoid 4/3 control valves (24 VDC)
- ⑤ Power Receptacle
- ⑥ Oil sight gauge(s)
- ⑦ Remote control pendant with 30 ft. cord
- ⑧ Flow control valve
- ⑨ Hydraulic gauge



Lifting Cylinders

For a complete line of Enerpac cylinders, see the Cylinder and Lifting Products in our catalog.

Page: 5

Number of Split Flow Outlets	Reservoir Size (gal)	Oil Flow per Outlet @ 10,000 psi (in ³ /min)	Pump Model Number 4/3 Valve Operation Advance/Hold/Retract		Motor Size 460 V - 3ph 60 Hz (hp)	Dimensions (in)			Weight (lbs)
			Manual (Joystick)	24 V Solenoid (Pendant)		A	B	C	
2	5	20	SFP 202MB	—	1.0*	29.5	17.7	27.5	190
	10	94	SFP 213MJ	SFP 213SJ	7.5	40.1	26.0	35.4	529
	40	203	SFP 228MJ	SFP 228SJ	10	54.0	23.8	44.5	1076
	40	305	SFP 242MJ	SFP 242SJ	15	54.0	23.8	44.5	1160
4	10	33	SFP 404MJ	SFP 404SJ	7.5	40.1	26.0	35.4	529
	40	65	SFP 409MJ	SFP 409SJ	7.5	54.0	23.8	44.5	1047
	40	101	SFP 414MJ	SFP 414SJ	10	54.0	23.8	44.5	1076
	40	153	SFP 421MJ	SFP 421SJ	15	54.0	23.8	44.5	1160
6	10	33	SFP 604MJ	SFP 604SJ	7.5	40.1	26.0	35.4	529
	40	94	—	SFP 613SJ	15	54.0	31.7	47.2	1213
8	40	94	—	SFP 813SJ	20	54.0	31.7	47.2	1300

* 115V-1 ph, 60 Hz